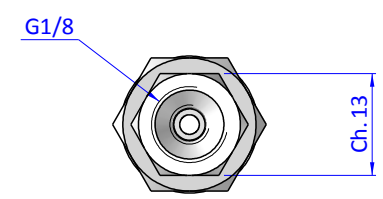
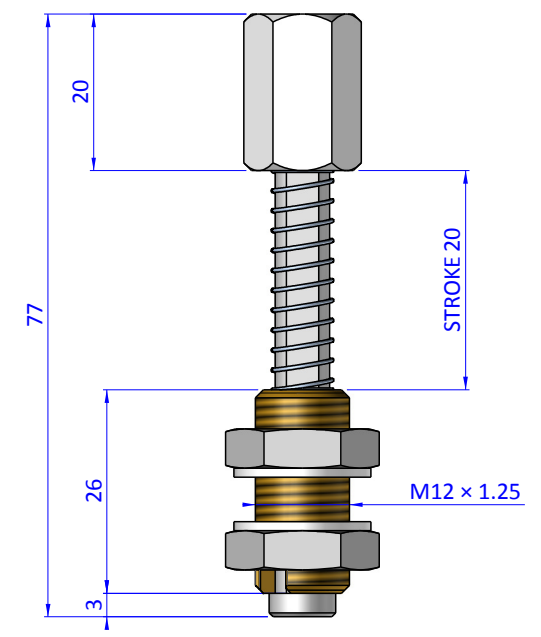
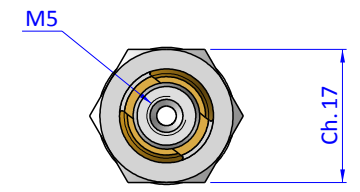
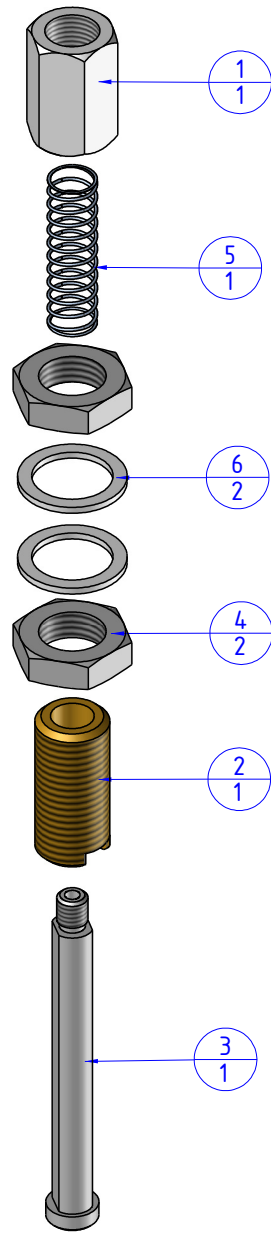


THE PROPERTY OF THE DRAWING IS ESTABLISHED BY LAW. IT IS FORBIDDEN TO PRODUCE OR SHOW IT TO THIRD PARTY, WITHOUT A WRITTEN AGREEMENT.

| Item | Name | Q.ty |
|------|-----------------|------|
| 1 | 05.01.005.01.18 | 1 |
| 2 | 05.01.005.03 | 1 |
| 3 | 05.01.005.05 | 1 |
| 4 | D.M12X1,25 | 2 |
| 5 | M.8x35.6N | 1 |
| 6 | R.12.SCH | 2 |



Format A3
UNI 936-76

| | | | |
|-------------------|--------------|----------------------|---------|
| | | DESIGNED FROM | REVIEW |
| | | FP SERVICES | A |
| GENERAL TOLERANCE | DESCRIPTION | DATE | WEIGHT |
| UNI - ISO 2768 | | 01/02/2019 | 0,040kg |
| CLASSE f | CA.05.01.009 | CODE CA.05.01.009 | |